

Exhibit 1



Date: May 13, 2015 **Salesman:** David Bondesen
 210-842-7628

Customer: The Village at Mill Creek Park **Contact:** Jack Jones

Project: The Village at Mill Creek Park

**Park Place Recreation
 Designs, Inc.**

OFFICE

P.O. Box 18186
 San Antonio, TX 78218

PHONE

800-626-0238
 210-821-5878

FAX

210-832-0115

EMAIL

fun@miracleparkplace.com

WEB

www.miracleparkplace.com

www.miracleparkplace.com



Approved BuyBoard Vendor
 Proposal #423-13 "Park Place
 Recreation Designs"

ITEM DESCRIPTION	QTY	UNIT PRICE	TOTAL PRICE
TCI 1452 Tots Choice Playground	1	\$16,041.00	\$ 16,041.00
#1104 Grill	1	\$317.00	\$ 317.00
#1116 Table	2	\$759.00	\$ 1,518.00
#1266 Bench	2	\$394.00	\$ 788.00
#2012 Twing Swing Frame	1	\$1,309.00	\$ 1,309.00
#2840 Belt Swing Seat	1	\$101.00	\$ 101.00
#2990 Tot Swing Seat	1	\$156.00	\$ 156.00
Coverworx 18'x18' Shelter-del'd & installed	1	\$17,500.00	\$ 17,500.00
Concrete Slab 20' x 20'	1	\$3,875.00	\$ 3,875.00
1760 SF of Synthetic Turf includes concrete perimeter border	1	30,575.00	\$ 30,575.00
Sidewalk, 349 sq ft	1	2,443.00	\$ 2,443.00
Discount (if applicable - BuyBoard #423-13)			\$ (2,406.00)
Installation of Equipment			\$ 6,069.00
Freight			\$ 1,834.00
		Subtotal	\$ 80,120.00
	Tax	8.25%	\$ 6,609.90
Grand Total			\$ 86,729.90

- Pricing is for materials/delivery. Installation is not included unless priced above
- If not priced above and if required, the following items and associated costs/ fees will be the responsibility of the customer: *Engineer Sealed Drawings – Local Building Permits – Payment/Performance Bonds – TDLR Registration/Review/ Inspections.* Each item, along with its fee/cost, will be listed separately.
- Prices are valid for 30 days after which they are subject to change. Any work not specifically mentioned in this proposal as being included shall be deemed excluded. The customer will be responsible for any taxes owed.

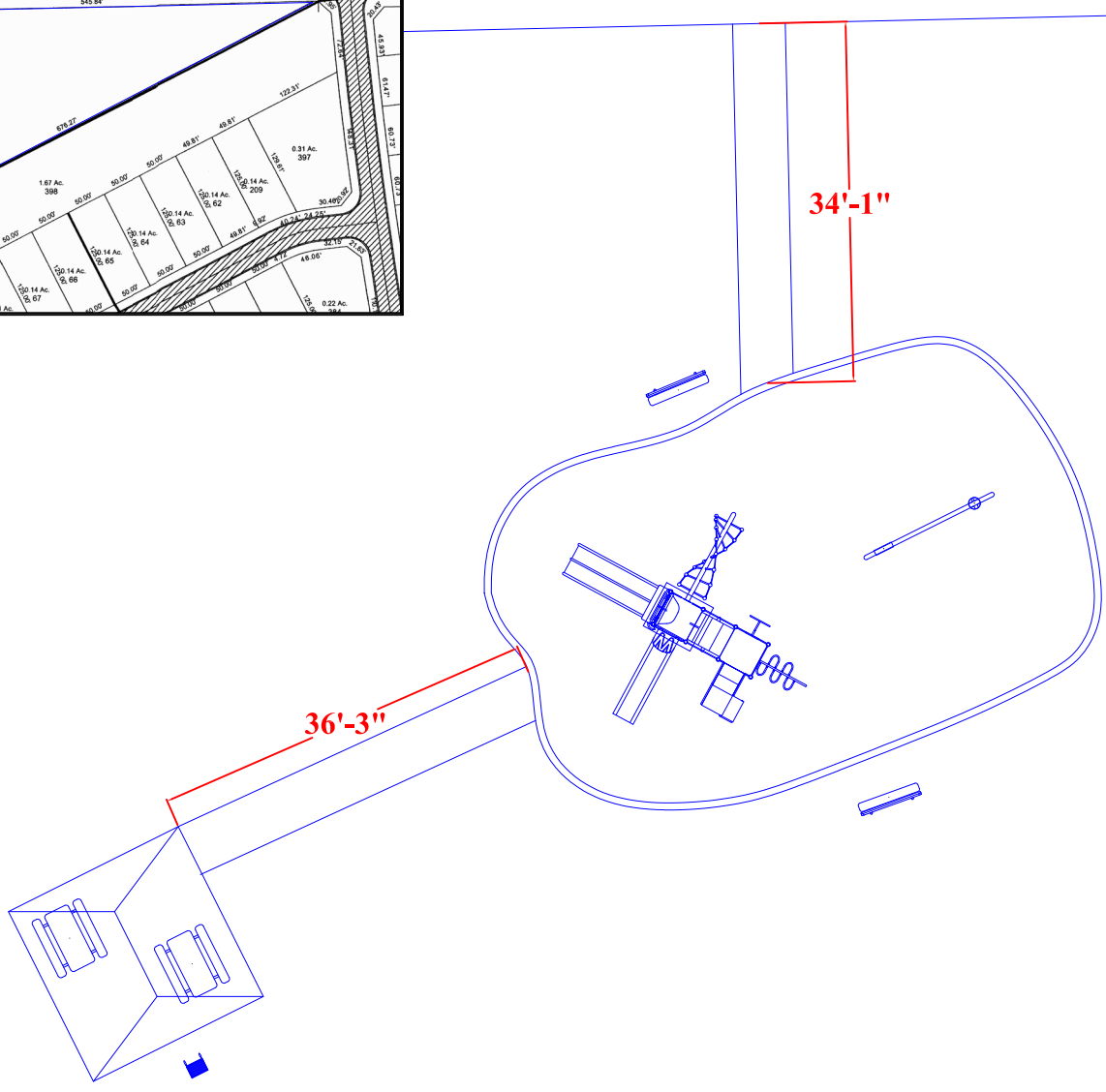
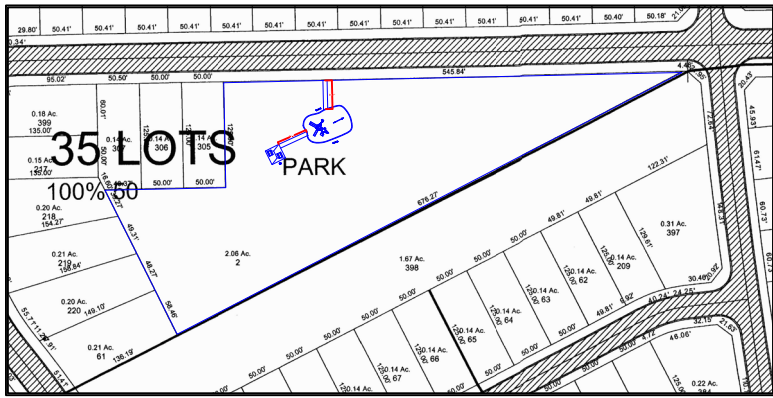
Please issue all purchase orders and payments to **Park Place Recreation Designs, Inc.**

I authorize the purchase of the above equipment and/or services:

Printed Name: _____

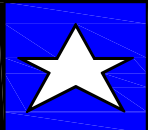
Signature: _____ Date: _____





DATE: 05/21/15
SCALE: NONE

Village at Mill Creek Park
TC11452
Drawing #VillageAtMillCreek



Park Place Recreation Designs, Inc.
Life - Have Fun With It!

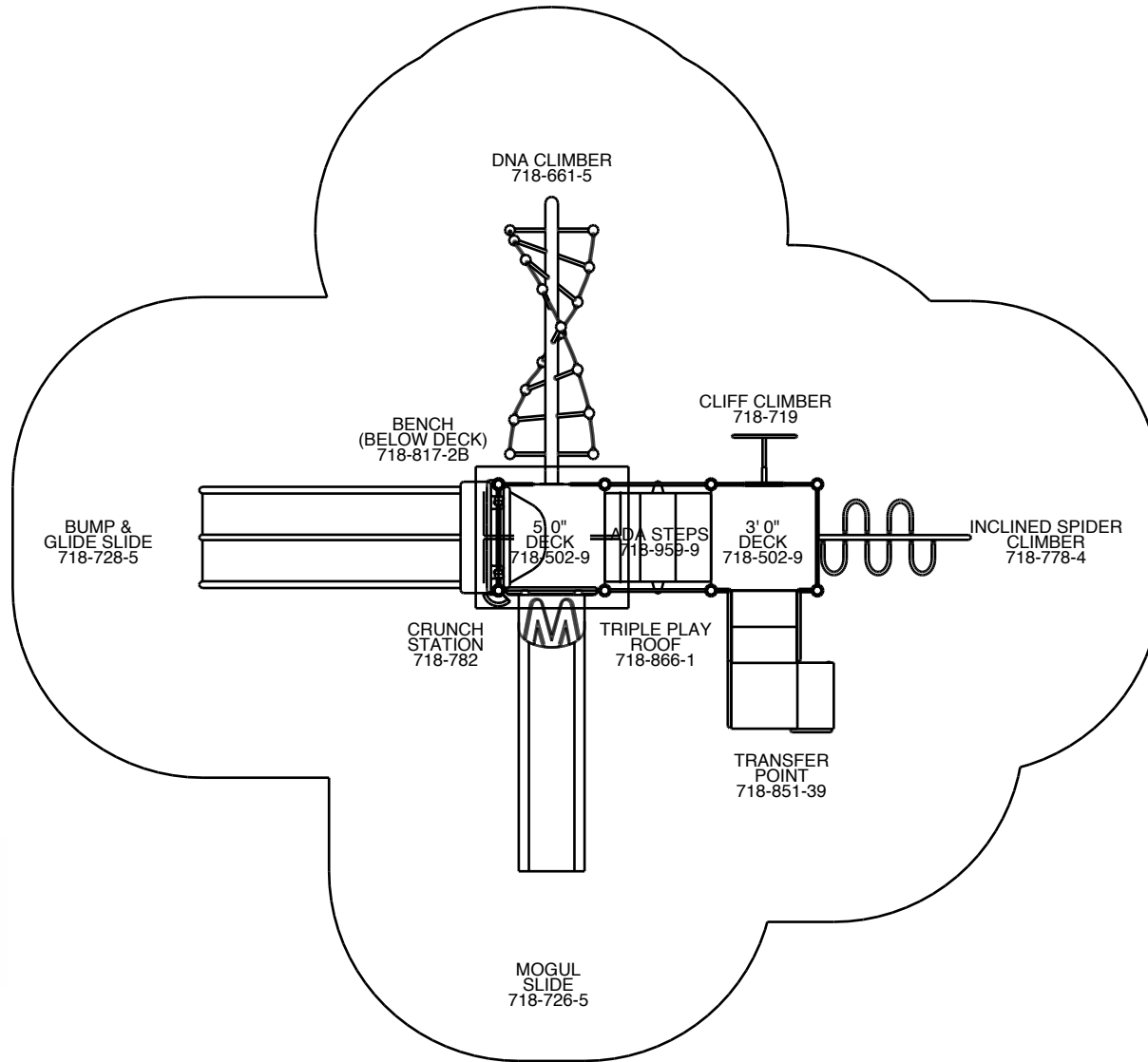
Village at Mill Creek
Seguin, Texas
TC11452



Village at Mill Creek TC11452

ELEVATED PLAY ACTIVITIES - TOTAL	5	
ELEVATED PLAY ACTIVITIES ACCESSIBLE BY TRANSFER	5	REQ'D 3
ELEVATED PLAY ACTIVITIES ACCESSIBLE BY RAMP	0	REQ'D 0
GROUND LEVEL ACTIVITY TYPE	2	REQ'D 2
GROUND LEVEL QUANTITY	2	REQ'D 2

FOR KIDS
AGES
2-12
YEARS



Park Place Recreation Designs INC.
P.O. Box 18186
San Antonio, TX, 78218
PHONE NO: (210) 821-5878
FAX NO: (210) 832-0115

009_42136563044

COMPLIES TO ASTM/CPSC

COMPLIES TO ADA

TYPE:

QUANTITY:

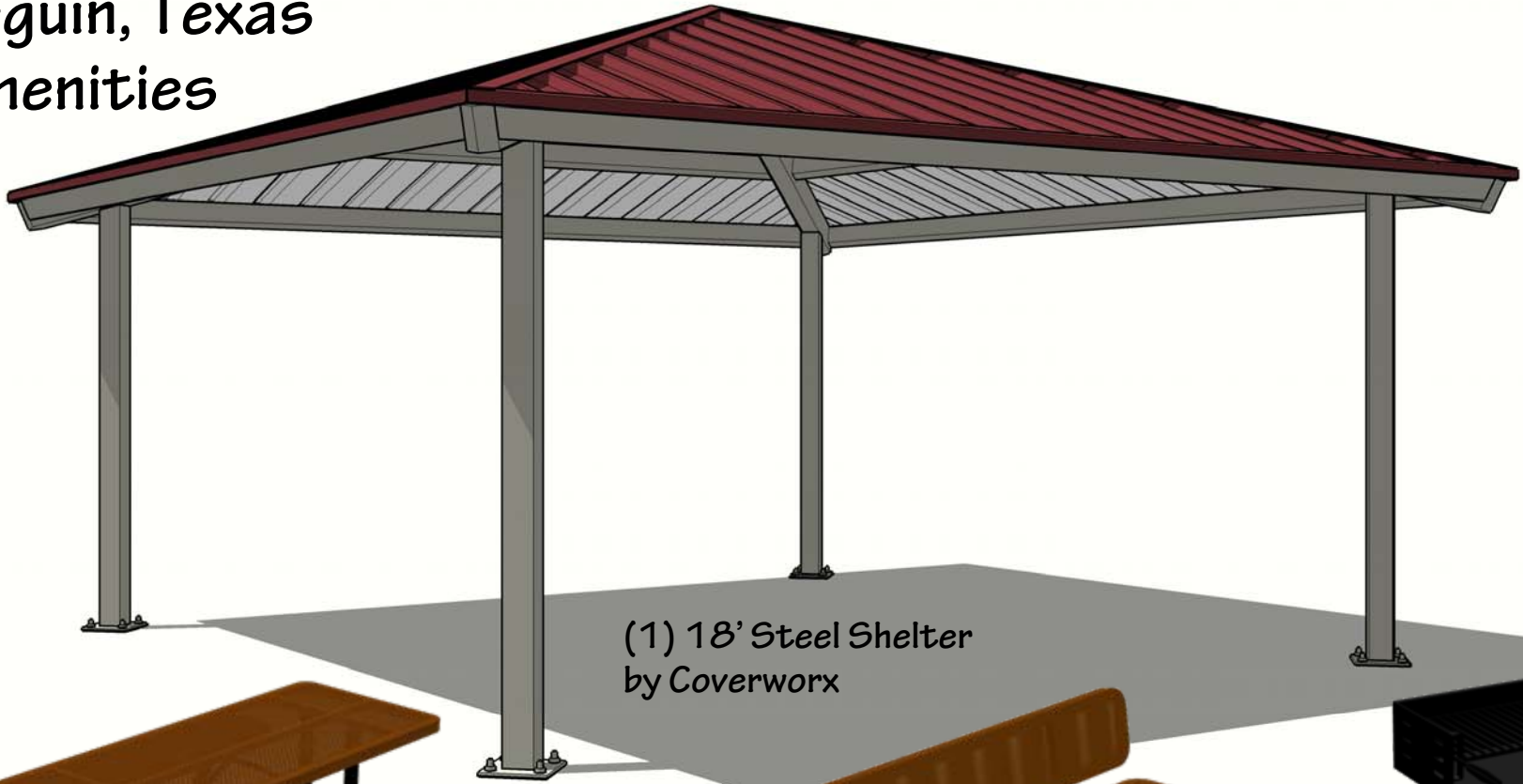
To promote safe and proper equipment use by children. Miracle recommends the installation of either a Miracle safety sign or other appropriate safety signage near each playsystem's main entry point(s) to inform parents and supervisors of the age appropriateness of the playsystem and general rules for safe play.

THE PLAY COMPONENTS IDENTIFIED IN THIS PLAN ARE IPEMA CERTIFIED. THE USE AND LAYOUT OF THESE COMPONENTS CONFORM TO THE REQUIREMENTS OF ASTM F1487.

AN ENERGY ABSORBING PROTECTIVE SURFACE IS REQUIRED UNDER & AROUND ALL PLAY SYSTEMS

GROUND SPACE: 26' X 23'
PROTECTIVE AREA: 38' X 35'
DRAWN BY: Miracle Maker SCALE: 1"=6' DATE: May 12, 2015

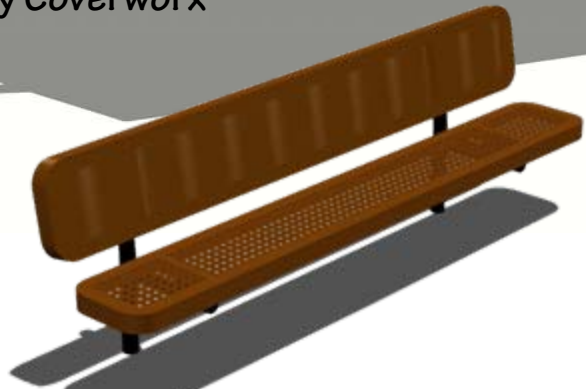
Village at Mill Creek Seguin, Texas Amenities



(1) 18' Steel Shelter
by Coverworx



(2) 6' Picnic Tables

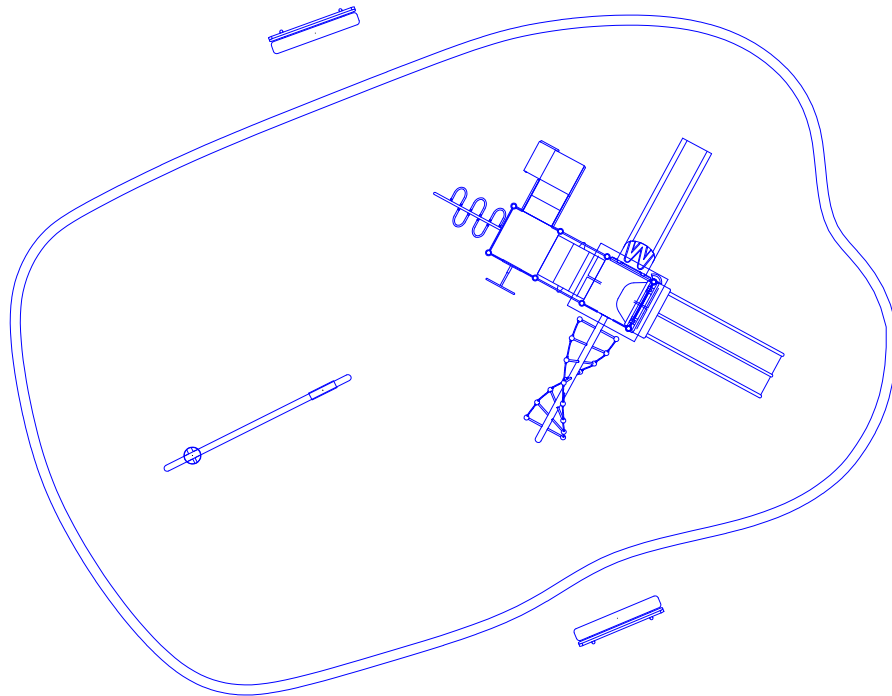
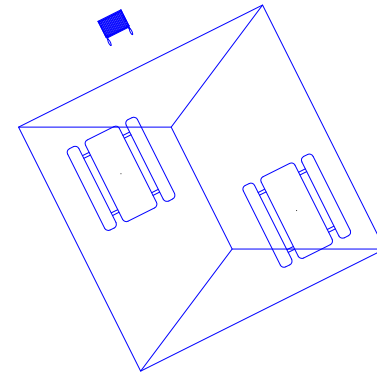
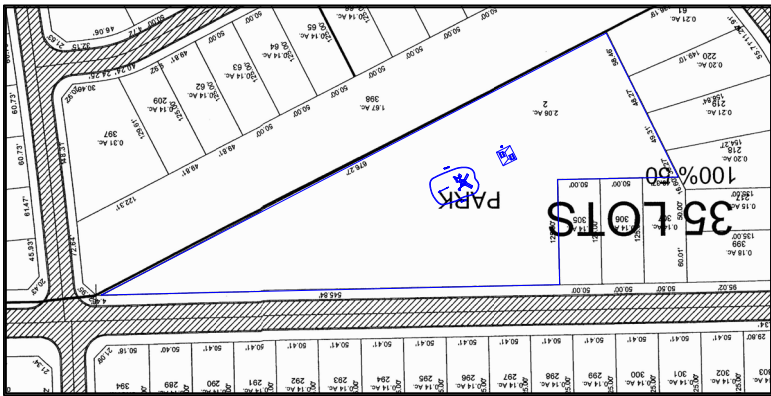


(2) 6' Park Benches



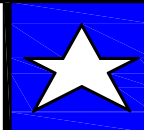
(1) Park Grill





DATE: 05/12/15
SCALE: NONE

Village at Mill Creek Park
TC11452
Drawing #VillageAtMillCreek



Park Place Recreation Designs, Inc.

Life - Have Fun With It!