

Cavender
GRANDE



City of Seguin
205 N River Street
Seguin, TX 78155

9/28/2023

Quote: Ford Med Duty Truck with Brush dump Body

Buy Board: 601-19

2025 F750 per attached specifications W/ Waste System Dump
Delivered to Customer \$147,898.00

Delivery: 175 to 200 days
Terms : Nwt 30 days

Sincerely

Keith Shoffstall
Fleet manager



WASTE SYSTEMS EQUIPMENT, INC.

A TOTAL MUNICIPAL EQUIPMENT SUPPLY COMPANY



"TEXAS' OLDEST REFUSE BODY DEALERSHIP - FAMILY OWNED & OPERATED SINCE 1975"

Quote

Date: 9/26/2023

Quote # Grande92623

Expiration Date: 30 Days

<u>From:</u> Waste Systems Equipment, Inc. PO Box 40878 Houston, TX. 77240 www.wastesystemsequipment.com Ph: 713-939-0200 Fx: 713-939-0718 Salesman: Greg Eastland Email: wse1975@sbcglobal.net		<u>To:</u> Cavender Grande Ford 4562 I-10 San Antonio, TX 78219 Ph: 210-245-4706 Fx: () - Contact: Rocky Shoffstall Email: rshoffstall@cavendergrandefo
Comments:	City of Seguin	
Quantity	Description	Sales Price
One	Truck Fabricators Heavy Duty Open Top Brush Dump Body Model DB20 To Include All Standard Equipment Plus: In Frame Dump Hoist, 48" Passenger Side Tool Box, 2 Grill Mounted Strobes, 4 Tailgate Mounted Strobes, 2 Side Body Strobes, Wood Chipper Chute In Rear Door, Hot Shift PTO, Pump, Single Rear View Camera System, Primed And Painted One Color, In Cab Controls For Dump Hoist, Custom Fabricated 14,000 # Pintle Hitch, Delivery To Seguin	
	Total	\$51,398.00
	<i>Body Construction: 1/4" AR500 Steel Floor, 10 Gauge AR400 Steel Sides, 3" C Channel Floor Crossmembers On 12" Centers, 2"X8"X1/4" Steel Tubing Long Runners, 6" Channel Wall Crossmembers On 33" Centers, 10 Gauge AR400 Steel Tailgate Sheet With 6" Channel Reinforcement, Two Hinges On Passenger Side, Manually Operated Tailgate Latch On Driver Side</i>	
*Price excludes freight & any applicable sales, use or federal tax, license, title or registration fees <u>unless otherwise stated.</u>		

2025

2024 F-750 Diesel Regular Cab Base (F7D)

Price Level: 425

Client Proposal

Prepared by:

ROCKY SHOFFSTALL

Office: 210-860-7537

Email: rshoffstall@cavendergrandeford.com

Date: 09/26/2023



Cavender Grande Ford | 4562 IH 10 East, San Antonio, Texas, 782194205

Office: 210-245-7002 | Fax: 210-666-7211



Prepared by: ROCKY SHOFFSTALL

09/26/2023

Cavender Grande Ford | 4562 IH 10 East San Antonio Texas | 782194205

2024 F-750 Diesel Regular Cab Base (F7D)

Price Level: 425

Re: Vehicle Proposal 09/26/2023

To Whom It May Concern,

Thank you very much for your interest in acquiring a vehicle from our dealership. We concur that your interest is well deserved. We hope that an outstanding product lineup and our dedication to customer service will enhance your ownership experience should you decide to buy a vehicle from us.

Attached, please find additional information that I hope will assist you in making a more informed decision. Please feel free to contact me at any time as I would truly appreciate the opportunity to be of service to you.

Sincerely,

ROCKY SHOFFSTALL

Fleet Sales

210-860-7537

rshoffstall@cavendergrandeford.com



Prepared by: ROCKY SHOFFSTALL
09/26/2023

Cavender Grande Ford | 4562 IH 10 East San Antonio Texas | 782194205

2024 F-750 Diesel Regular Cab Base (F7D)

Price Level: 425

As Configured Vehicle

Code	Description	MSRP
Base Vehicle		
F7D	Base Vehicle Price (F7D)	\$79,655.00
Engines		
99X	6.7L Power Stroke V8 Turbo Diesel - 330 HP @ 2600 RPM Includes Engine Exhaust Brake and manual regen capability. Torque: 750 ft.lbs. @ 1500 rpm. <i>Governed RPM: 3400. Includes CARB clean idle label - may be removed if un-necessary.</i>	\$3,495.00
425	50-State Emissions	N/C
41H	Engine Block Heater, Phillips, 120 Volt/750 Watt <i>Includes removable grille cover.</i>	\$155.00
98R	Active Regen Control <i>Allows Driver to Inhibit Automatic Regen until Regen can be performed in a Safe location.</i>	\$205.00
917	Speed Limit - 70mph	N/C
Transmissions		
44D	Ford TorqShift HD 10-Speed Automatic - with PTO Provision <i>Includes tow/haul.</i>	STD
Front Wheels & Tires		
643	Wheels, Front 22.5x8.25 White Powder Coated Steel, 10-Hole <i>(285.75MM BC) hub piloted, flanged nut, metric mount, 8.25 DC rims; with steel hubs.</i>	STD
T2B	Tires, Front Two 11R22.5G Goodyear Fuel Max RSA (497 rev/mile)	STD
Rear Wheels & Tires		
663	Wheels, Rear 22.5x8.25 White Powder Coated Steel, 10-Hole <i>(285.75MM BC) hub piloted, flanged nut, metric mount, 8.25 DC rims; with steel hubs.</i>	STD

Prices and content availability as shown are subject to change and should be treated as estimates only. Actual base vehicle, package and option pricing may vary from this estimate because of special local pricing, availability or pricing adjustments not reflected in the dealer's computer system. See salesperson for the most current information.



Prepared by: ROCKY SHOFFSTALL

09/26/2023

Cavender Grande Ford | 4562 IH 10 East San Antonio Texas | 782194205

2024 F-750 Diesel Regular Cab Base (F7D)

Price Level: 425

As Configured Vehicle (cont'd)

Code	Description	MSRP
R2G	Tires, Rear Four 11R22.5G Goodyear Fuel Max RTD (493 rev/mile)	\$140.00

Brakes

67A	Air Brakes (4 WHEEL DRUM) - Straight Truck w/Traction Control	\$2,530.00
	<i>Meritor Q-Plus with ABS, Bendix Anti-Lock Brake System, 4-channel. Includes 15" x 4" front brakes, dual direct reading air pressure gauges, brake lines color coded nylon, Bendix 13.2 CFM capacity air compressor, instrument panel mounted yellow knob parking brake control valve, automatic slack adjusters front and rear, two rear spring parking air brake chambers mounted on front of rear axle, three drain valves and two air tanks (Reference Body Builders Book for location). Rear brake size and components dependent upon axle selection. Uses existing ABS system to minimize wheel slipping during acceleration. Usage determined by the air brake package selected. (Not recommended with Hi-Rail Train Systems). Deletes hand operated park brake lever.</i>	

Includes:

- Air Dryer, Bendix AD/IS w/Heater

Mounted left frame rail (for Hydraulic brake diesel applications that include air suspension or stand alone engine air compressor).

18A	Electronic Stability Control DELETE	-\$290.00
	<i>Deletes the standard ESC feature.</i>	

62D	Air Dryer, Bendix AD/IS w/Heater	Included
	<i>Mounted left frame rail (for Hydraulic brake diesel applications that include air suspension or stand alone engine air compressor).</i>	

Front Axle and Suspension

43P	12,000 lb. Cap. Non-Driving - Dana E-1202I - I-Beam Type	\$525.00
61E	Taper-Leaf Springs, Parabolic - 13,200 lb. Cap	\$365.00
	<i>3-leaf, 62" x 3.15". Also includes, standard duty, dual, double acting shock absorbers.</i>	
60A	Lube, Front Axle, EmGard 50W, Synthetic Oil	\$50.00

Rear Axle and Suspension

47P	23,000 lb. Single Reduction - Locking - Dana / Spicer S23-172D	\$2,100.00
	<i>NOTE: When specifying an axle ratio, check performance guidelines for startability and gradeability.</i>	
68R	Multi-Leaf Springs - 23,000 lb. Cap	\$230.00
	<i>11-leaf. Includes 2,000 lb auxiliary springs for load stabilization.</i>	

Prices and content availability as shown are subject to change and should be treated as estimates only. Actual base vehicle, package and option pricing may vary from this estimate because of special local pricing, availability or pricing adjustments not reflected in the dealer's computer system. See salesperson for the most current information.



Prepared by: ROCKY SHOFFSTALL
09/26/2023

Cavender Grande Ford | 4562 IH 10 East San Antonio Texas | 782194205

2024 F-750 Diesel Regular Cab Base (F7D)

Price Level: 425

As Configured Vehicle (cont'd)

Code	Description	MSRP
607	Lube, Rear Axle, EmGard 75W-90, Synthetic Oil	\$100.00
X6A	6.14 Axle Ratio	N/C
Wheelbase		
260WB	260" Wheelbase/186" CA/120" AF/419" OAL	\$965.00
Frame		
536	Single Channel - Straight 'C' 14.18 SM, 120,000 PSI <i>1,701,600 RBM. Heat treated alloy steel; 10.125" x 3.580" x 0.312" (257.2mm x 90.9mm x 8.0mm).</i>	\$365.00
41R	Outer "C" Channel Reinforcement - 120,000 PSI <i>29.84 SM; 3,580,800 RBM. Heat treated alloy steel; 10.813" x 3.892" x 0.312"; (274.6 mm x 98.9 mm x 8.0 mm).</i>	\$1,160.00
76F	3" Front Bumper Extension	\$175.00
Exhaust		
91G	Under Cab, Right Side Outlet, Switchback-Style <i>Single, horizontal muffler, right side, under cab, outside of frame rail with rear discharge.</i>	STD
Fuel Tanks		
65B	Fuel Tank - LH 50 Gallon Rectangular - Aluminum	STD
Electrical / Alternator / Battery		
STDALT	Extra Heavy Duty Alternator - 12-Volt, 200 Amp Denso SC5	Included
55M	Jump Start Stud - Remote Mounted	\$90.00
63B	Battery - Two 900 CCA, 1800 Total, Includes Steel Battery Box <i>12Volt, Motorcraft.</i>	\$60.00

Prices and content availability as shown are subject to change and should be treated as estimates only. Actual base vehicle, package and option pricing may vary from this estimate because of special local pricing, availability or pricing adjustments not reflected in the dealer's computer system. See salesperson for the most current information.



Prepared by: ROCKY SHOFFSTALL
09/26/2023

Cavender Grande Ford | 4562 IH 10 East San Antonio Texas | 782194205

2024 F-750 Diesel Regular Cab Base (F7D)

Price Level: 425

As Configured Vehicle (cont'd)

Code	Description	MSRP
59C	Body Builder Wiring - At End of Frame, Combined - (ILO Standard - Back of Cab Combined) <i>Includes sealed connectors for 2 ground circuits, with combined left/stop, combined right/stop, stop lamps, back up lamps. Also includes 2 additional pass through wires to cab.</i>	\$135.00
17M	Back-Up Alarm - Electric, 102 dBA	\$110.00
962	Daytime Running Lamps (Not Configurable)	\$25.00
16V	Voltmeter <i>Available in message center.</i>	\$100.00
Seats		
88G	30/70 Air Ride Driver (External Air Source) & Fixed 2-Passenger Bench - Vinyl	\$395.00
Cab Interior		
600A	Preferred Equipment Package 600A <i>Includes:</i> - Bumper, Front - Black, Full Width - Wheel Seals, Front - Oil lubricated, SKF ScotSeal PlusXL Seals - Wheel Seals, Rear - Oil lubricated, SKF ScotSeal PlusXL Seals - Manual Regen Initiation - Driver Interface in Message Center - Engine Exhaust Brake - Extra Heavy Duty Alternator - 12-Volt, 200 Amp Denso SC5 - Painted Grille - Plastic - Lights - Roof Marker/Clearance - Amber Lenses, 5 Lights - Tow Hooks, Front (2) - Frame-Mounted, Painted Black - Four Body Builder Switches - Mounted in Center Instrument Panel <i>With connector access located in engine compartment. Amperages vary by switch: 10, 15, 25, 25.</i> - Floor Covering - Black Vinyl - Intelligent Oil Life Monitor - Steering Column - Tilt / Telescoping - Steering Wheel - Black PVC w/Integral Cruise Control Switches, includes Audio Controls	N/C
90P	Power Equipment Group - (Included in (90A) Appearance Group) <i>Includes power front side windows, power door locks and door trim panel.</i>	\$470.00
588	Radio: AM/FM Stereo w/2 Speakers, USB input, Clock Display and Bluetooth	STD
85A	SecuriLock Passive Anti-Theft System	\$120.00

Prices and content availability as shown are subject to change and should be treated as estimates only. Actual base vehicle, package and option pricing may vary from this estimate because of special local pricing, availability or pricing adjustments not reflected in the dealer's computer system. See salesperson for the most current information.



Prepared by: ROCKY SHOFFSTALL
09/26/2023

Cavender Grande Ford | 4562 IH 10 East San Antonio Texas | 782194205

2024 F-750 Diesel Regular Cab Base (F7D)

Price Level: 425

As Configured Vehicle (cont'd)

Code	Description	MSRP
<p><i>The SecuriLock Passive Anti-Theft System is designed to help prevent the engine from being started unless a coded key, programmed to the vehicle, is used. It helps protect against drive-away theft through an electronically coded ignition key, its electronically coded ignition key features billions of possible codes to start the vehicle and is not compatible with non-OEM aftermarket remote start systems.</i></p>		
Cab Exterior		
85K	Remote Keyless Entry w/2 Key Fobs	\$195.00
59A	Horn, Air - Black, Single Trumpet <i>Air solenoid operated, chassis mounted on rail back of bumper.</i>	\$90.00
54R	Mirrors, Dual - Heated & Motorized Rectangular, XL2020 - 102" Width <i>Integral spot mirror, sail type, solid black finish.</i>	\$275.00
Ship-Thru		
21A	Pre-Delivery Inspection Selection requires that you also choose either (314) or (31F) or (31V) to have the Inspection performed. Required with any final Ship-To that is not a dealer.	N/C
314	Ship-Thru - Manning MAY be selected w/o adding (21A). For MODIFICATIONS ONLY, Dealer must make arrangements directly with Manning (please use CVT Resources for add. Info).	\$0.00
Miscellaneous		
PAINT	Paint Type - Environmentally Friendly, "3 - Wet System"	STD
Exterior Color		
YZ_01	Oxford White	N/C
Interior Color		
E_01	Gray	N/C
SUBTOTAL		\$93,990.00
Fuel Charge (12)		\$0.00
Destination Charge		\$2,495.00
TOTAL		\$96,485.00

Prices and content availability as shown are subject to change and should be treated as estimates only. Actual base vehicle, package and option pricing may vary from this estimate because of special local pricing, availability or pricing adjustments not reflected in the dealer's computer system. See salesperson for the most current information.



Prepared by: ROCKY SHOFFSTALL

09/26/2023

Cavender Grande Ford | 4562 IH 10 East San Antonio Texas | 782194205

2024 F-750 Diesel Regular Cab Base (F7D)

Price Level: 425

Selected Equip & Specs

Dimensions

• GCWR: 50,000 lbs. • Driver distance from axle: 54.4" • **Vehicle body length: 419.0"** • Vehicle body width: 96.7" • **Vehicle body height: 95.2"** • **Wheelbase: 260.0"** • **Front track: 83.5"** • **Rear track: 72.7"** • **Turning radius (to curb): 33.8'** • **Cab to axle: 186.0"** • Rear tire outside width: 96.0" • **Axle to end of frame: 120.0"** • **Frame section modulus: 29.8 cu.in.** • **Frame yield strength (psi): 120000.0** • **Frame rail depth: 10.8"** • **Frame rail width: 3.9"** • **Frame rail thickness: .3"** • Frame rail section: 9.5" • Front bumper to front axle: 39.0" • **Front frame extension: 3.0"** • Front brake diameter: 15.0" • **Rear brake diameter: 16.5"** • Headroom first-row: 40.7" • Leg room first-row: 41.4" • Shoulder room first-row: 68.0" • Hip room first-row: 67.6"

Powertrain

• **6.7L V-8 diesel direct injection, intercooled turbo, diesel, engine with 330HP** • Engine cylinders: V-8 • Compression ignition system • **Horsepower: 330 HP@2600 RPM** • **Torque: 750 lb.-ft.@1500 RPM** • **Engine block heater** • Radiator • Fuel/water separator • Auxiliary power take-off • Engine retarder system • RNDM shift indicator • **70 mph speed limiter** • 10-speed automatic • Rear-wheel drive • Recommended fuel: diesel • Low-speed ABS traction control • **Driver controlled locking rear differential**

Fuel Economy and Emissions

• Federal emissions

Suspension and Handling

• Standard ride suspension • Standard grade front shock absorbers

Driveability

• **Air brake system** • 4-wheel antilock (ABS) brakes • Four channel ABS brakes • Rigid axle front suspension • Leaf spring front suspension • Tapered leaf front suspension • Rigid axle rear suspension • Leaf spring rear suspension • Hydraulic power-assist steering system • Re-circulating ball steering • 2-wheel steering system

Body Exterior

• Side assist steps • 2 doors • Clearcoat paint • Monotone paint • Black side window trim • Black windshield trim • Black door handles • Black front bumper • 2 front tow hooks • Straight front bumper ends • Black grille • Hood mounted grille • Black door mirrors • Trailer style side mirrors • Convex spotter in driver and passenger side door mirrors • English measure truck 279/82R22.5 AS BSW front and rear tires • White front wheels • Steel front wheels • White rear wheels • Steel rear wheels • Disc rear wheel • 22.5 x 8.25-inch front and dual rear wheels

Convenience

• **Power door locks with 2 stage unlocking** • **Keyfob activated door locks** • **Auto-locking doors** • Cruise control with steering wheel mounted controls • **Power first-row windows** • Driver foot rest • Fixed rear windshield • Standard glove box • Front beverage holders • 2 beverage holders • **Driver and passenger door bins** • Dashboard storage • **Single air horn** • Steering column lever gearshift location • Trip computer • Upfitter switches

Comfort

Prices and content availability as shown are subject to change and should be treated as estimates only. Actual base vehicle, package and option pricing may vary from this estimate because of special local pricing, availability or pricing adjustments not reflected in the dealer's computer system. See salesperson for the most current information.



Prepared by: ROCKY SHOFFSTALL
09/26/2023

Cavender Grande Ford | 4562 IH 10 East San Antonio Texas | 782194205

2024 F-750 Diesel Regular Cab Base (F7D)

Price Level: 425

Selected Equip & Specs (cont'd)

- Manual climate control • Cloth headliner material • Full headliner coverage • Full vinyl floor covering • Full floor coverage
- Manual tilting steering wheel • Manual telescopic steering wheel • Urethane steering wheel

Seats and Trim

- * **Seating capacity: 3** • Bucket driver seat • Folding driver seat back • Low driver seat back • **Driver seat air suspension**
- 4 driver seats way-direction • Manual fore/aft • **Two person benchfront seat** • Low passenger seat back • 4 passenger seats way-direction • Manual fore/aft • Driver seat armrest • **Front seat center armrest** • Vinyl front seat upholstery

Entertainment Features

- AM/FM stereo radio • In-vehicle audio • AM radio • FM radio • Seek scan • Auxiliary input jack • External memory control
- Speakers number: 2 • Standard grade speakers • Steering wheel mounted audio controls • Wireless audio streaming • Fixed audio antenna

Lighting, Visibility and Instrumentation

- Analog instrumentation display • Trip odometer • In-radio display clock • **Primary air pressure gauge** • Tachometer • Oil pressure gauge • Engine/electric motor temperature gauge • **Voltmeter** • Oil temperature gauge • Transmission fluid temperature gauge • Engine hour meter • Diesel exhaust fluid (def) gauge • Light tinted windows • Aero-composite headlights • Halogen headlights • Auto on/off headlight control • Multiple enclosed headlights • Delay-off headlights • Variable intermittent front windshield wipers • Speed sensitive wipers • Front reading lights • **Illuminated entry** • Variable instrument panel light • Daytime running lights • Cab clearance lights • Delay interior courtesy lights

Technology and Telematics

- Handsfree wireless device connectivity • 1 USB port

Safety and Security

- * **Immobilizer** • **Remote panic alarm** • Vehicle tracker • **Back-up alarm**

Dimensions

General Weights

* Curb weight	12,410 lbs.	* Rear curb weight	4,911 lbs.
Front GAWR	12000 lbs.	Rear GAWR	23000 lbs.
GVWR	35000 lbs.	GCWR	50000 lbs.

Trailer Weights

GCWR	50,000 lbs.
------	-------------

Weights

Maximum GVWR	37,000 lbs.	* Max RBM (in.-lbs.)	3,580,800 max RBM (in.-lbs.)
--------------	-------------	-----------------------------	-------------------------------------

* Nominal RBM (in.-lbs.)	3,580,800 nominal RBM (in.-lbs.)
---------------------------------	---

Front Weights

Prices and content availability as shown are subject to change and should be treated as estimates only. Actual base vehicle, package and option pricing may vary from this estimate because of special local pricing, availability or pricing adjustments not reflected in the dealer's computer system. See salesperson for the most current information.



Prepared by: ROCKY SHOFFSTALL

09/26/2023

Cavender Grande Ford | 4562 IH 10 East San Antonio Texas | 782194205

2024 F-750 Diesel Regular Cab Base (F7D)

Price Level: 425

Selected Equip & Specs (cont'd)

* Front curb weight	7,499 lbs.	* Axle capacity front	12,000 lbs.
* Spring rating front	13,200 lbs.	Tire/wheel capacity front	12,350 lbs.

Rear Weights

* Axle capacity rear	23,000 lbs.	* Spring rating rear	23,000 lbs.
Tire/wheel capacity rear	23,360 lbs.		

Exterior Measurements

* Vehicle body length	419.0"	Vehicle body width	96.7"
* Vehicle body height	95.2"	* Wheelbase	260.0"
* Front frame height loaded	35.3"	Front brake diameter	15.0"
* Front frame height unloaded	37.4"	* Rear brake diameter	16.5"
* Rear frame height loaded	36.8"	* Rear frame height unloaded	38.2"
* Turning radius (to bumper)	35.5'	* Width - mirrors folded	90.7"
* Width - mirrors extended	121.9"	* Front track	83.5"
* Rear track	72.7"	Driver distance from axle	54.4"
* Turning radius (to curb)	33.8'	* Cab to axle	186.0"
Rear tire outside width	96.0"	* Axle to end of frame	120.0"
* Frame section modulus	29.8 cu.in.	* Frame yield strength (psi)	120000.0
* Frame rail depth	10.8"	* Frame rail width	3.9"
* Frame rail thickness	.3"	Frame rail section	9.5"
Front bumper to front axle	39.0"	* Front frame extension	3.0"

Headroom

Headroom first-row	40.7"
--------------------	-------

Legroom

Leg room first-row	41.4"
--------------------	-------

Shoulder Room

Shoulder room first-row	68.0"
-------------------------	-------

Hip Room

Hip room first-row	67.6"
--------------------	-------

Powertrain

Engine

* Engine	6.7L V-8 diesel direct injection, intercooled turbo, diesel, engine with 330HP	Valves per cylinder	4
----------	---	---------------------	----------

Prices and content availability as shown are subject to change and should be treated as estimates only. Actual base vehicle, package and option pricing may vary from this estimate because of special local pricing, availability or pricing adjustments not reflected in the dealer's computer system. See salesperson for the most current information.



Prepared by: ROCKY SHOFFSTALL
09/26/2023

Cavender Grande Ford | 4562 IH 10 East San Antonio Texas | 782194205

2024 F-750 Diesel Regular Cab Base (F7D)

Price Level: 425

Selected Equip & Specs (cont'd)

Engine cylinders	V-8	Engine location	Front mounted engine
Ignition	Compression ignition system	Engine mounting direction	Longitudinal mounted engine
Engine block material	Iron engine block	Cylinder head material	Aluminum cylinder head
<i>Engine Specs</i>			
Displacement	6.7L	cc	405.9 cu.in.
Bore	3.9"	Stroke	4.25"
Compression ratio	16.2	* Governed RPM	3400 RPM
* Compressor capacity	13.20 cu.ft. cfm	* Air dryer	Air dryer
* Air system moisture ejector type	Manual air system moisture ejector		
<i>Engine Power</i>			
* Horsepower	330 HP@2600 RPM	* Torque	750 lb.-ft.@1500 RPM
<i>Alternator</i>			
Alternator amps	200A	Alternator type	Heavy-duty alternator
<i>Battery</i>			
Battery type	Dual lead acid battery	* Battery rating	1800CCA
Battery step	Battery step	Battery location	Battery location forward right
Battery run down protection	Battery run down protection		
<i>Engine Extras</i>			
* Block heater	Engine block heater	Radiator	Radiator
Fuel/water separator	Fuel/water separator	Auxiliary power take-off	Auxiliary power take-off
Engine retarder	Engine retarder system	Shift indicator	RNDM shift indicator
<i>Transmission</i>			
Transmission	10-speed automatic	Transmission electronic control	Transmission electronic control
* Speed limiter	70 mph speed limiter	Overdrive transmission	Overdrive transmission
Lock-up transmission	Lock-up transmission	First gear ratio	4.615
Second gear ratio	2.919	Third gear ratio	2.132
Fourth gear ratio	1.773	Fifth gear ratio	1.519
Sixth gear ratio	1.277	Reverse gear ratio	4.695
Seventh gear ratio	1	Eighth gear ratio	0.851
Ninth gear ratio	0.687	Tenth gear ratio	0.632
Stall ratio	1.97	Selectable mode transmission	Selectable mode transmission
Sequential shift control	Sequential shift control	Transmission oil cooler	Transmission oil cooler

Prices and content availability as shown are subject to change and should be treated as estimates only. Actual base vehicle, package and option pricing may vary from this estimate because of special local pricing, availability or pricing adjustments not reflected in the dealer's computer system. See salesperson for the most current information.



Prepared by: ROCKY SHOFFSTALL
09/26/2023

Cavender Grande Ford | 4562 IH 10 East San Antonio Texas | 782194205

2024 F-750 Diesel Regular Cab Base (F7D)

Price Level: 425

Selected Equip & Specs (cont'd)

PTO transmission provision	PTO transmission provision		
<i>Drive Type</i>			
Drive type	Rear-wheel drive		
<i>Drivetrain</i>			
* Axle ratio	6.14	Axle speed	Single axle speed
<i>Exhaust</i>			
Tailpipe	Aluminized steel single exhaust	Additional muffler type	horizontal
Additional muffler location	right	Additional tailpipe type	horizontal
Additional tailpipe location	right		
<i>Fuel</i>			
Fuel type	diesel		
<i>Fuel Tank</i>			
Front left fuel tank shape	rectangular	Front left fuel tank capacity	50.01 US gallons
DEF capacity	8.00 gal.		
<i>Drive Feature</i>			
Traction control	Low-speed ABS traction control	* Differential	Driver controlled locking rear differential

Fuel Economy and Emissions

<i>Emissions</i>	
Emissions	Federal emissions

Suspension and Handling

<i>Suspension</i>			
Suspension	Standard ride suspension	Front shock absorbers	Standard grade front shock absorbers

Driveability

<i>Brakes</i>			
* Brake type	Air brake system	ABS brakes	Four channel ABS brakes
ABS brakes	4-wheel antilock (ABS) brakes		
<i>Front Suspension</i>			
Suspension ride type front suspension	Rigid axle front suspension	Suspension type front suspension	Leaf spring front suspension
<i>Front Spring</i>			

Prices and content availability as shown are subject to change and should be treated as estimates only. Actual base vehicle, package and option pricing may vary from this estimate because of special local pricing, availability or pricing adjustments not reflected in the dealer's computer system. See salesperson for the most current information.



Prepared by: ROCKY SHOFFSTALL
09/26/2023

Cavender Grande Ford | 4562 IH 10 East San Antonio Texas | 782194205

2024 F-750 Diesel Regular Cab Base (F7D)

Price Level: 425

Selected Equip & Specs (cont'd)

Regular front springs	Regular front springs	Springs front	Tapered leaf front suspension
<i>Rear Spring</i>			
Springs rear	Multi-leaf rear suspension	Rear springs	Regular grade rear springs
Auxiliary rear spring	Rubber auxiliary rear spring		
<i>Rear Suspension</i>			
Suspension type rear suspension	Leaf spring rear	Suspension ride type rear suspension	Rigid axle rear
<i>Steering</i>			
Steering system	Hydraulic power-assist steering	Steering type	Re-circulating ball steering
Steering type number of wheels	2-wheel steering system		

Exterior

Front Wheels

Front wheels diameter	22.5"	Front wheels width	8.3"
-----------------------	-------	--------------------	------

Rear Wheels

Rear wheels diameter	22.5"	Rear wheels width	8.3"
----------------------	-------	-------------------	------

Front And Rear Wheels

Appearance	none		
------------	------	--	--

Front Tires

Aspect	82	Diameter	22.5"
Sidewalls	BSW	Tread	AS
Type	english measure truck tire	Width	279mm
Front wheel - RPM	497		

Rear Tires

Aspect	82	Diameter	22.5"
Sidewalls	BSW	Tread	AS
Type	english measure truck tire	Width	279mm
* Rear wheel - RPM	493		

Body Exterior

Exterior Features

Number of doors	2 doors	Side steps	Side assist steps
Front splash guards	Front splash guards		

Frame

* Frame reinforcement	Frame reinforcement	Clean CA frame	Clean CA frame
-----------------------	---------------------	----------------	----------------

Prices and content availability as shown are subject to change and should be treated as estimates only. Actual base vehicle, package and option pricing may vary from this estimate because of special local pricing, availability or pricing adjustments not reflected in the dealer's computer system. See salesperson for the most current information.



Prepared by: ROCKY SHOFFSTALL
09/26/2023

Cavender Grande Ford | 4562 IH 10 East San Antonio Texas | 782194205

2024 F-750 Diesel Regular Cab Base (F7D)

Price Level: 425

Selected Equip & Specs (cont'd)

Body

Body panels Composite and galvanized steel
body panels

Mirrors

Convex spotter Convex spotter in driver and
passenger side door mirrors

Tires

Front tires LT load rating G Rear tires LT load rating G

Wheels

Front wheel type Disc front wheel Dual rear wheels Dual rear wheels
Number of front wheel studs 10 front wheel studs Number of rear wheel studs 10 rear wheel studs

Convenience

Door Locks

* Door locks Power door locks with 2 stage
unlocking * Keyfob door locks Keyfob activated door
locks
* Auto door locks Auto-locking doors

Cruise Control

Cruise control Cruise control with steering
wheel mounted controls

Exterior Mirrors

* Door mirrors Power door mirrors Folding door mirrors Manual folding door mirrors
* Heated door mirrors Heated driver and
passenger side door mirrors

Front Side Windows

* First-row windows Power first-row windows

Passenger Visor

Visor passenger mirror Passenger visor mirror

Power Outlets

12V power outlets 2 12V power outlets

Pedals

Driver foot rest Driver foot rest

Rear Windshield

Rear windshield Fixed rear windshield

Storage

Prices and content availability as shown are subject to change and should be treated as estimates only. Actual base vehicle, package and option pricing may vary from this estimate because of special local pricing, availability or pricing adjustments not reflected in the dealer's computer system. See salesperson for the most current information.



Prepared by: ROCKY SHOFFSTALL
09/26/2023

Cavender Grande Ford | 4562 IH 10 East San Antonio Texas | 782194205

2024 F-750 Diesel Regular Cab Base (F7D)

Price Level: 425

Selected Equip & Specs (cont'd)

* Door bins front bins	Driver and passenger door bins	Number of beverage holders	2 beverage holders
Beverage holders	Front beverage holders	Glove box	Standard glove box
Dashboard storage	Dashboard storage		

Windows Feature

* One-touch up window one-touch up windows	Driver and passenger one-touch up windows	* One-touch down window one-touch down windows	Driver and passenger one-touch down windows
---	--	---	--

Miscellaneous

Trip computer	Trip computer	Gearshift location	Steering column lever gearshift location
Upfitter switches	Upfitter switches	* Horn	Single air horn

Comfort

Climate Control

Climate control	Manual climate control
-----------------	------------------------

Headliner

Headliner material	Cloth headliner material	Headliner coverage	Full headliner coverage
--------------------	--------------------------	--------------------	-------------------------

Floor Trim

Floor covering	Full vinyl floor covering	Floor coverage	Full floor coverage
----------------	---------------------------	----------------	---------------------

Steering Wheel

Steering wheel telescopic steering wheel	Manual telescopic steering wheel	Steering wheel material	Urethane steering wheel
Steering wheel tilt	Manual tilting steering wheel		

Seats and Trim

Seat Capacity

* Seating capacity	3
---------------------------	----------

Front Seats

Front seat type	Bucket driver seat	* Front seat type	Two person benchfront seat
Driver seat back	Folding driver seat back	Driver seat back type	Low driver seat back
* Driver seat suspension suspension	Driver seat air suspension	Driver seats way-direction	4 driver seats way-direction
Driver seat fore/aft	Manual fore/aft	Passenger seat back type	Low passenger seat back
Passenger seats way-direction	4 passenger seats way-direction	Passenger seat fore/aft	Manual fore/aft
Armrests front driver	Driver seat armrest	* Armrests front center armrest	Front seat center armrest

Prices and content availability as shown are subject to change and should be treated as estimates only. Actual base vehicle, package and option pricing may vary from this estimate because of special local pricing, availability or pricing adjustments not reflected in the dealer's computer system. See salesperson for the most current information.



Prepared by: ROCKY SHOFFSTALL
09/26/2023

Cavender Grande Ford | 4562 IH 10 East San Antonio Texas | 782194205

2024 F-750 Diesel Regular Cab Base (F7D)

Price Level: 425

Selected Equip & Specs (cont'd)

Front Seat Trim

Front seat upholstery Vinyl front seat upholstery Front seatback upholstery Carpet front seatback upholstery

Gearshifter Material

Gearshifter material Urethane gear shifter material

Entertainment Features

Radio Features

Aux input jack Auxiliary input jack External memory External memory control
Seek scan Seek scan

Speakers

Speakers Standard grade speakers Speakers number 2

Audio Features

Steering mounted audio control Steering wheel Wireless streaming Wireless audio streaming
mounted audio controls

Lighting, Visibility and Instrumentation

Instrumentation

Trip odometer Trip odometer Instrumentation display Analog instrumentation display

Instrumentation Displays

Clock In-radio display clock

Instrumentation Gauges

* Primary air pressure gauge Primary air pressure gauge Tachometer Tachometer
Oil pressure gauge Oil pressure gauge Oil temperature gauge Oil temperature gauge
Transmission temperature gauge Transmission * Voltmeter Voltmeter
fluid temperature gauge
Engine/electric motor temperature gauge Engine/electric motor temperature gauge
gauge gauge
DEF fluid gauge Diesel exhaust fluid (def) gauge

Instrumentation Warnings

Oil pressure warning Oil pressure warning Low fuel warning Low fuel warning
Low brake fluid warning Low brake fluid warning Battery charge warning Battery charge warning
Headlights on reminder Headlights on reminder Key in vehicle warning Key in vehicle warning

Prices and content availability as shown are subject to change and should be treated as estimates only. Actual base vehicle, package and option pricing may vary from this estimate because of special local pricing, availability or pricing adjustments not reflected in the dealer's computer system. See salesperson for the most current information.



Prepared by: ROCKY SHOFFSTALL
09/26/2023

Cavender Grande Ford | 4562 IH 10 East San Antonio Texas | 782194205

2024 F-750 Diesel Regular Cab Base (F7D)

Price Level: 425

Selected Equip & Specs (cont'd)

Door ajar warning Door ajar warning
Transmission fluid temperature
warning Transmission fluid temp warning

Service interval warning Service interval indicator
Low diesel exhaust fluid (DEF) warning Low diesel
exhaust fluid (DEF) warning

Glass

Tinted windows Light tinted windows

Headlights

Headlights Halogen headlights
Auto headlights Auto on/off headlight control
Delay off headlights Delay-off headlights

Headlight type Aero-composite headlights
Multiple headlights Multiple enclosed headlights

Front Windshield

Wipers Variable intermittent front windshield
wipers

Speed sensitive wipers Speed sensitive wipers

Interior Lighting

* **Illuminated entry** **Illuminated entry**

Variable panel light Variable instrument panel
light

Front reading lights Front reading lights

Lights

Running lights Daytime running lights

Interior courtesy lights Delay interior courtesy
lights

Clearance lights Cab clearance lights

Technology and Telematics

Connectivity

Handsfree Handsfree wireless device
connectivity

USB Ports

USB ports 1 USB port

Safety and Security

Security System

* **Immobilizer** **Immobilizer** * **Remote panic alarm** **Remote panic alarm**

Vehicle tracker Vehicle tracker

Parking Sensors

* **Back up alarm** **Back-up alarm**

Prices and content availability as shown are subject to change and should be treated as estimates only. Actual base vehicle, package and option pricing may vary from this estimate because of special local pricing, availability or pricing adjustments not reflected in the dealer's computer system. See salesperson for the most current information.



Prepared by: ROCKY SHOFFSTALL
09/26/2023

Cavender Grande Ford | 4562 IH 10 East San Antonio Texas | 782194205

2024 F-750 Diesel Regular Cab Base (F7D)

Price Level: 425

Warranty

Standard Warranty

Basic Warranty

Basic warranty 24 months/unlimited

Powertrain Warranty

Powertrain warranty 24 months/unlimited

Corrosion Perforation

Corrosion perforation warranty 36 months/unlimited

Roadside Assistance Warranty

Roadside warranty 24 months/unlimited

Diesel Engine Warranty

Diesel engine warranty 60 months/250,000 miles

Transmission Warranty

Transmission warranty 60 months/250,000 miles

Frame Rail Warranty

Frame Rail Warranty 60 months/unlimited

Prices and content availability as shown are subject to change and should be treated as estimates only. Actual base vehicle, package and option pricing may vary from this estimate because of special local pricing, availability or pricing adjustments not reflected in the dealer's computer system. See salesperson for the most current information.



Prepared by: ROCKY SHOFFSTALL

09/26/2023

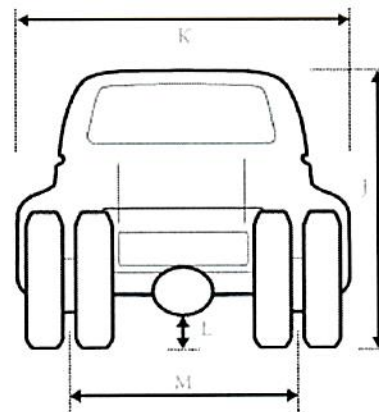
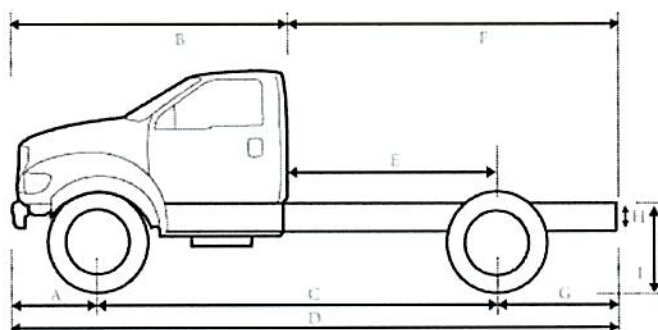
Cavender Grande Ford | 4562 IH 10 East San Antonio Texas | 782194205

2024 F-750 Diesel Regular Cab Base (F7D)

Price Level: 425

Vehicle Dimension and Performance Summary

Performance predictions in this report represent an estimate of vehicle performance based on standard operating conditions. Variations in customer equipment, load configuration, ambient conditions, and/or operator driving techniques can cause significant variations in vehicle performance. These values are not representative of results that may be shown in actual dynamometer tests. This report should therefore be used as a guide for comparative vehicle performance.



Dimensions

A	Front of Bumper to Front Axle	39.00 in.
B	Front Bumper to Back of Cab (BBC)	113.00 in.
C	Wheelbase (WB)	260.00 in.
D	Overall Length (OAL)	419.00 in.
E	Back of Cab to Rear Axle (CA)	186.00 in.
F	Back of Cab to End of Frame	306.00 in.
G	Rear Axle to End of Frame (AF)	120.00 in.
H	Frame Section Height	10.80 in.
I	Rear Frame Height Unloaded	38.20 in.
I	Rear Frame Height Loaded	36.80 in.
J	Cab Height	95.20 in.
K	Body Width	96.70 in.
L	Maximum Ground Clearance	N/A
L	Minimum Ground Clearance	N/A
M	Front Tread	83.50 in.
M	Rear Tread	72.70 in.

Prices and content availability as shown are subject to change and should be treated as estimates only. Actual base vehicle, package and option pricing may vary from this estimate because of special local pricing, availability or pricing adjustments not reflected in the dealer's computer system. See salesperson for the most current information.



Prepared by: ROCKY SHOFFSTALL

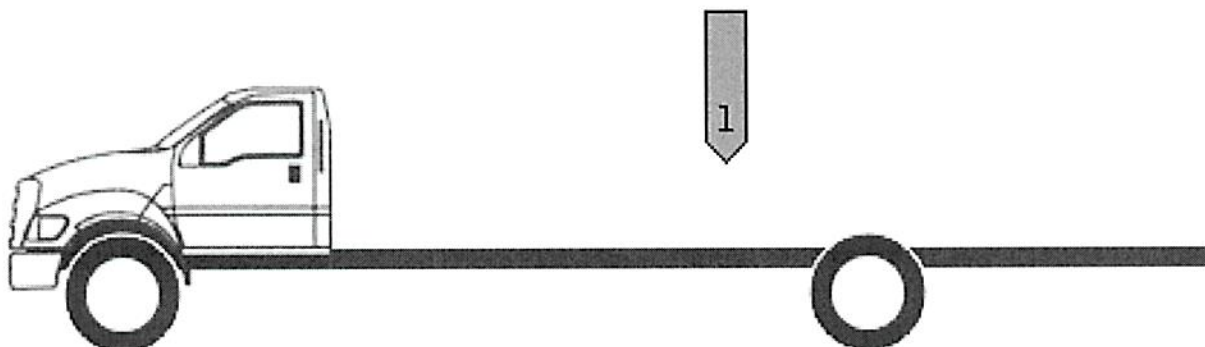
09/26/2023

Cavender Grande Ford | 4562 IH 10 East San Antonio Texas | 782194205

2024 F-750 Diesel Regular Cab Base (F7D)

Price Level: 425

Vehicle Dimension and Performance Summary (cont'd)



Weight

Licensing

GVWR exceeds 26,000 lbs and requires a Commercial Driver's License (CDL). Contact your local state commercial driver licensing office for specifics on what your state requires.

GVW	Front Axle	Rear Axle	Totals
Chassis	7,499 lbs	4,911 lbs	12,410 lbs
Body	0 lbs	0 lbs	0 lbs
Occupants Weight	200 lbs	100 lbs	300 lbs
1 Max Payload - (Max Payload)	4,301 lbs	17,989 lbs	22,290 lbs
TOTAL	12,000 lbs	23,000 lbs	35,000 lbs

Ratings	Front Axle	Rear Axle	GVWR
GAWR	12,000 lbs	23,000 lbs	35,000 lbs
Wheels/Tires	12,350 lbs	23,360 lbs	
Suspension	13,200 lbs	23,000 lbs	
Axle	12,000 lbs	23,000 lbs	
Legal Axle Limit	0 lbs	0 lbs	

Prices and content availability as shown are subject to change and should be treated as estimates only. Actual base vehicle, package and option pricing may vary from this estimate because of special local pricing, availability or pricing adjustments not reflected in the dealer's computer system. See salesperson for the most current information.



Prepared by: ROCKY SHOFFSTALL

09/26/2023

Cavender Grande Ford | 4562 IH 10 East San Antonio Texas | 782194205

2024 F-750 Diesel Regular Cab Base (F7D)

Price Level: 425

Vehicle Dimension and Performance Summary (cont'd)

Start, Grade and Speed

Shift Indicator

Vehicle equipped **without** Park Pawl. Shift indicator will display **RNDM**.

Start	Ratio	Desired	Calculated
Start grade capability in 1st gear	4.62	15.00 %	27.56 %
Start grade capability in reverse	4.70	15.00 %	28.03 %
Grade	Ratio	Desired	Calculated
Maximum grade in 8th gear	0.85	3.00 %	5.16 %
Maximum grade in 9th gear	0.69	3.00 %	4.16 %
Maximum grade in 10th gear	0.63	3.00 %	3.83 %
Speed		Desired	Calculated
Top Speed (level grade)		75 mph	107 mph
<i>To meet your requirement you need a maximum axle ratio of 8.73</i>			
Top Speed on 3% grade		55 mph	
<i>To meet your requirement you need a maximum of 207 hp</i>			
Cruise Speed		60 mph	72 mph
Engine RPM at desired cruise speed			1,913 rpm

Variables in Use

Start

Rear axle ratio:	6.14	Clutch engagement torque:	375 ft.lbs.
Tire size:	11R22.5 (493 rev/mile)	Torque conversion ratio:	1.97
Gross Vehicle Weight (GVW):	35,000 lbs		

Grade

Rear axle ratio:	6.14	Gross Vehicle Weight (GVW):	35,000 lbs
Tire size:	11R22.5 (493 rev/mile)	Peak engine torque:	750 ft.lbs.

Speed

Engine Power:	330 hp @ 2,600 rpm	Worst road surface	Typical Highway
Governed RPM:	3,400 rpm	Final Drive Ratio:	0.63
Frontal Area:	57.89 Sq.Ft.	Drag Coefficient	0.80
Cruising RPM	2,300 rpm		

Prices and content availability as shown are subject to change and should be treated as estimates only. Actual base vehicle, package and option pricing may vary from this estimate because of special local pricing, availability or pricing adjustments not reflected in the dealer's computer system. See salesperson for the most current information.



Prepared by: ROCKY SHOFFSTALL

09/26/2023

Cavender Grande Ford | 4562 IH 10 East San Antonio Texas | 782194205

2024 F-750 Diesel Regular Cab Base (F7D)

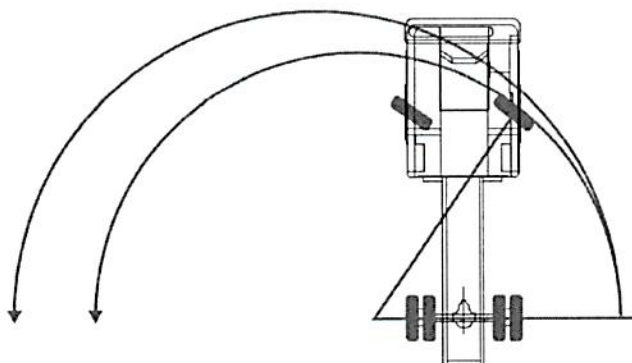
Price Level: 425

Vehicle Dimension and Performance Summary (cont'd)

Turning Radius

Turning radius to curb: 33.79 ft

Turning radius to bumper: 35.50 ft



Prices and content availability as shown are subject to change and should be treated as estimates only. Actual base vehicle, package and option pricing may vary from this estimate because of special local pricing, availability or pricing adjustments not reflected in the dealer's computer system. See salesperson for the most current information.